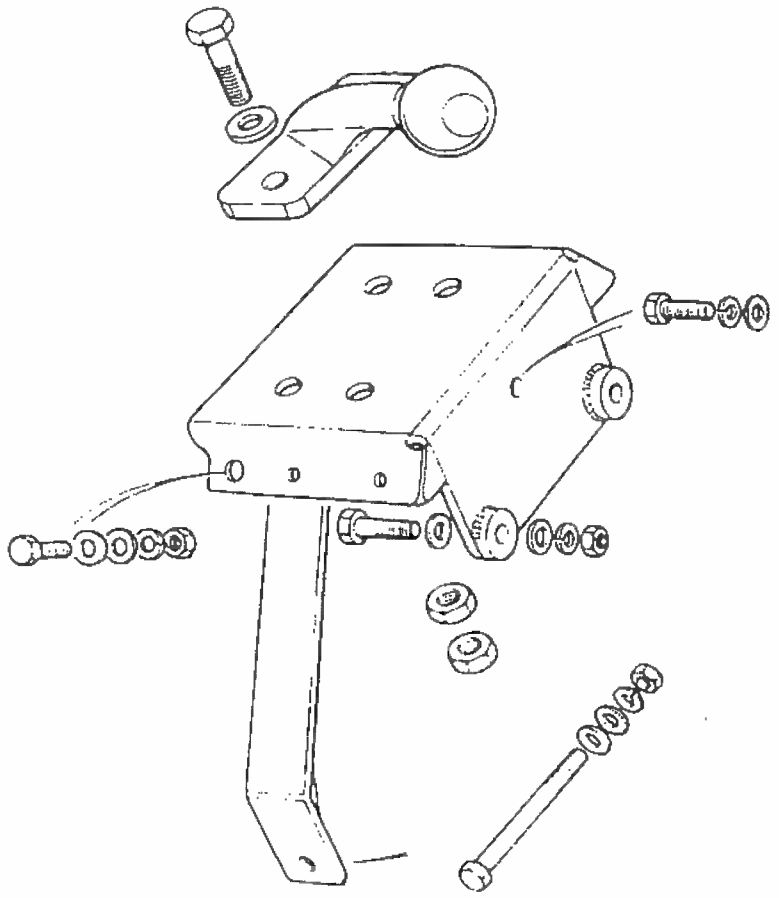
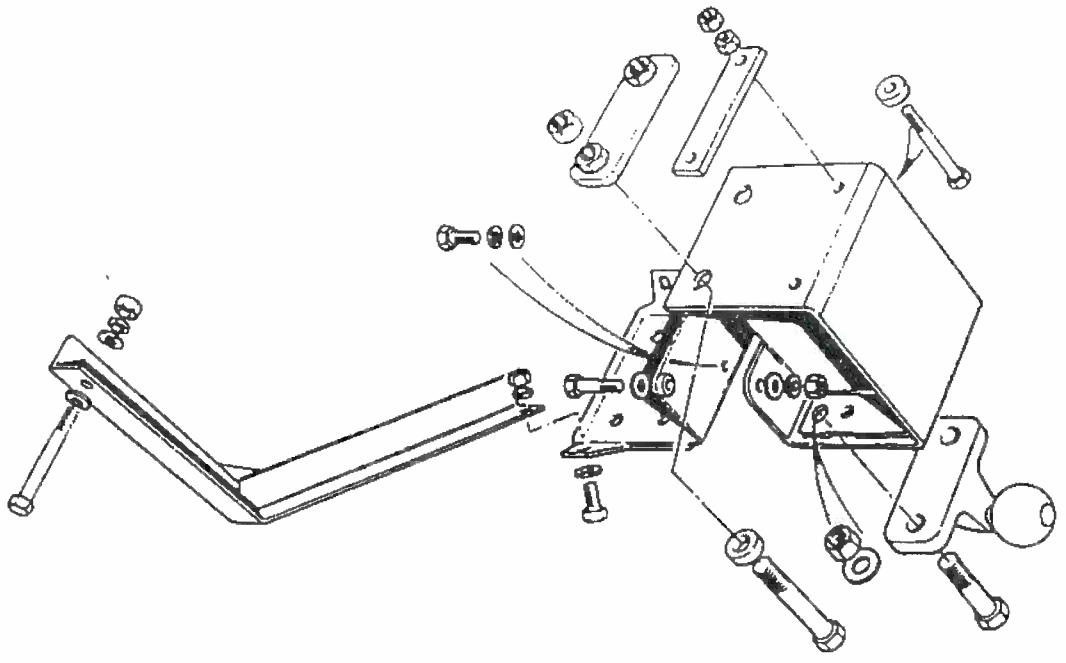
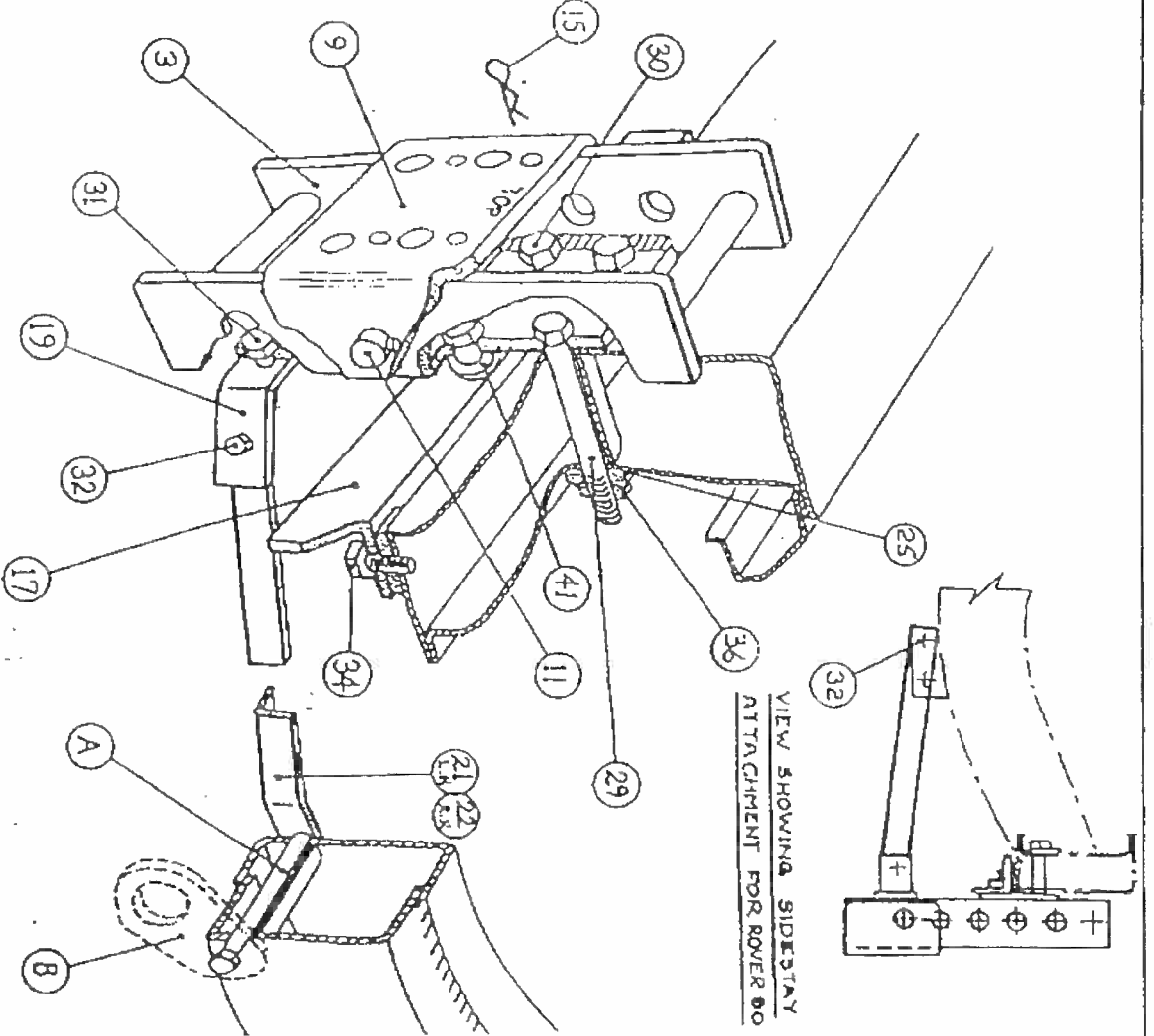


110 HIGH CAPACITY PICK-UP

# LAND ROVER TOWING BALLS

ALL OTHER 110 AND 90 MODELS





COMPONENTS		
Item	Qty	Description
3	1	Adjustable Bracket
9	1	Coupling Channel
11	1	Locating Pin
15	1	R Clip
17	1	Stiffener Angle
19	1	Connecting Bracket
21	1	Sidestay L.H.
22	1	Sidestay R.H.
25	1	Plate
41	2	Peckling Washer

H.T.S. U.N.F. BOLTS		
Item	Qty	Description
29	2	5/8" dia x 3 1/2" long
30	2	5/8" dia x 1 1/2" long
31	2	3/8" dia x 1 1/2" long
32	4	3/8" dia x 1" long
H.T.S. METRIC BOLT		
34	3	M10 x 25mm long

Items 30, 31 and 32 supplied with nuts. All bolts supplied with shakeproof washers.

ROVER GROUP



ROVER GROUP LIMITED PRODUCT ASSURANCE

MODEL TYPE LD  
 TITLE DEFENDER TOW HITCH ASSEMBLY

DRAWN KM

DATE 13 10

PART NO  
 DRAWING NO LR 1772

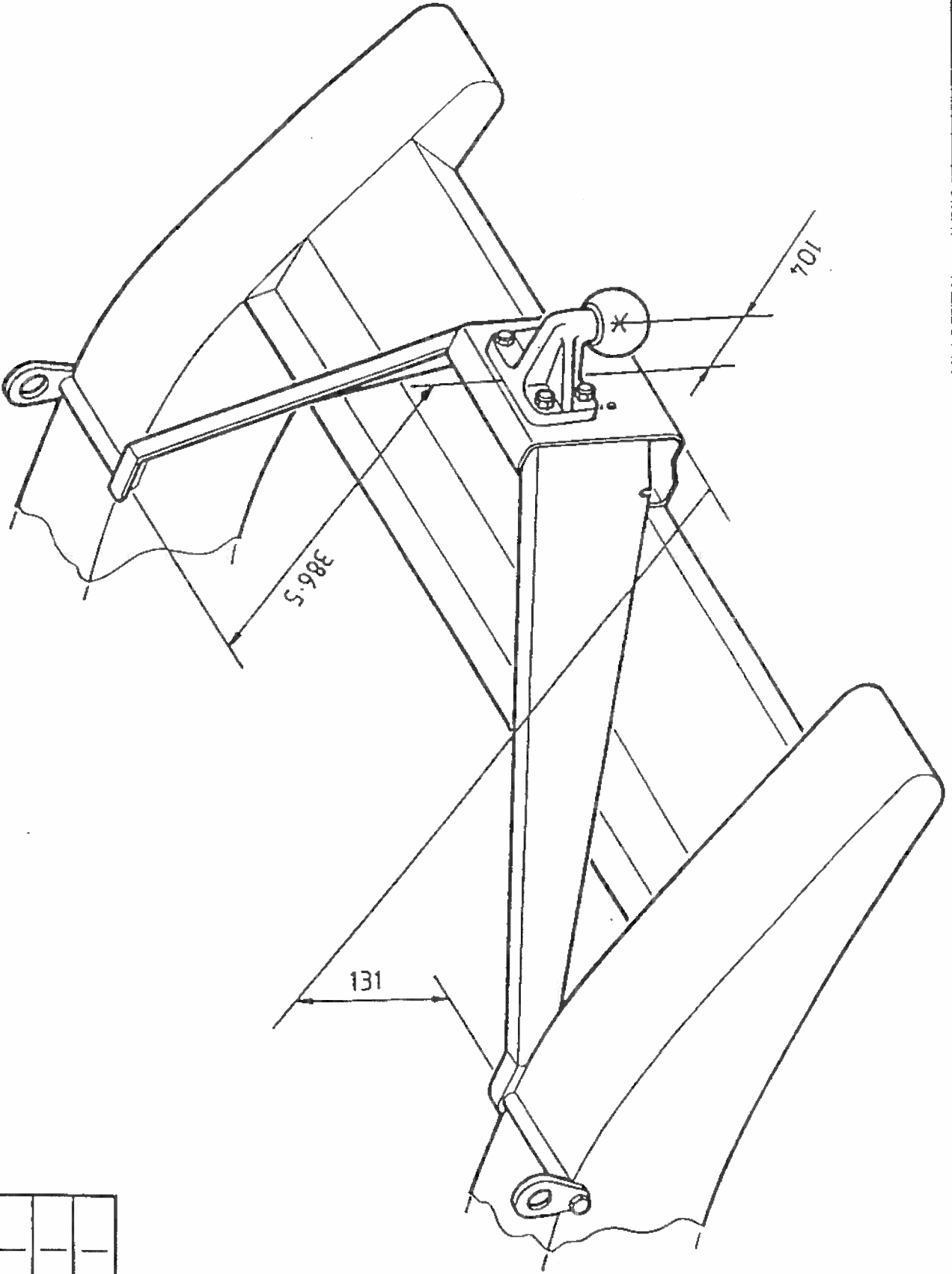
ROVER GROUP

MODETYPE LH

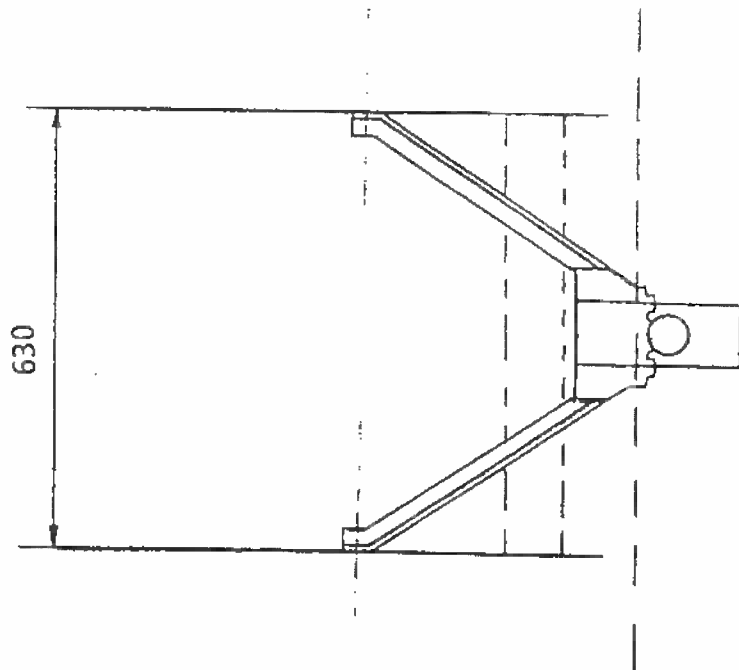
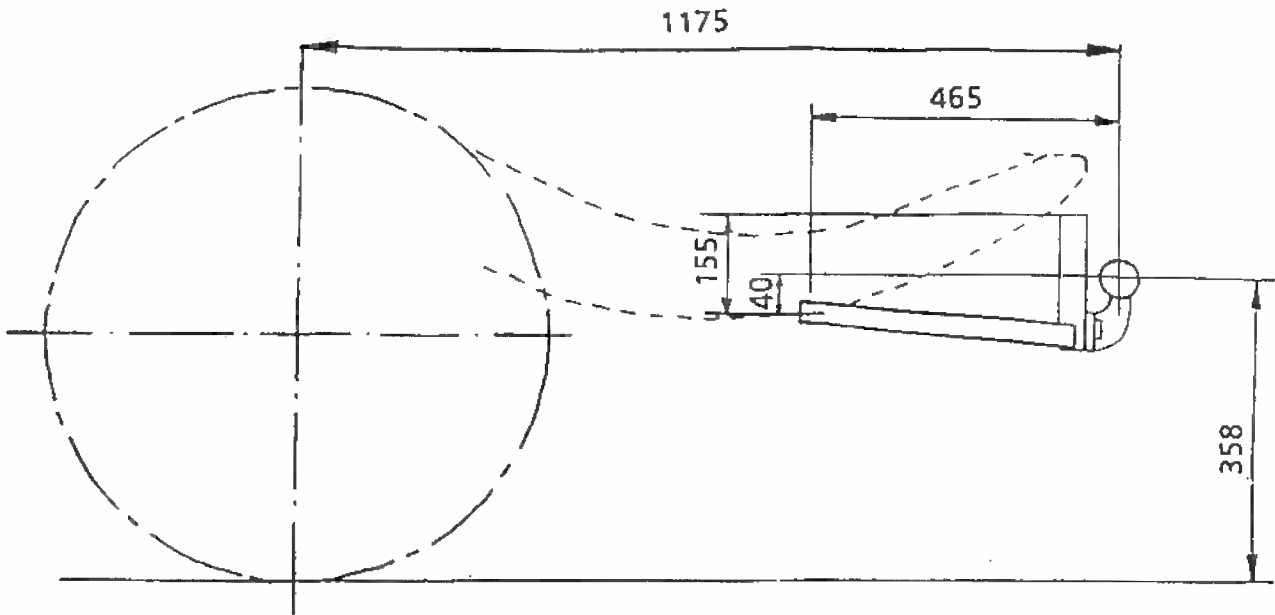
DRAWN DBR

DATE



08 | 10 | 92



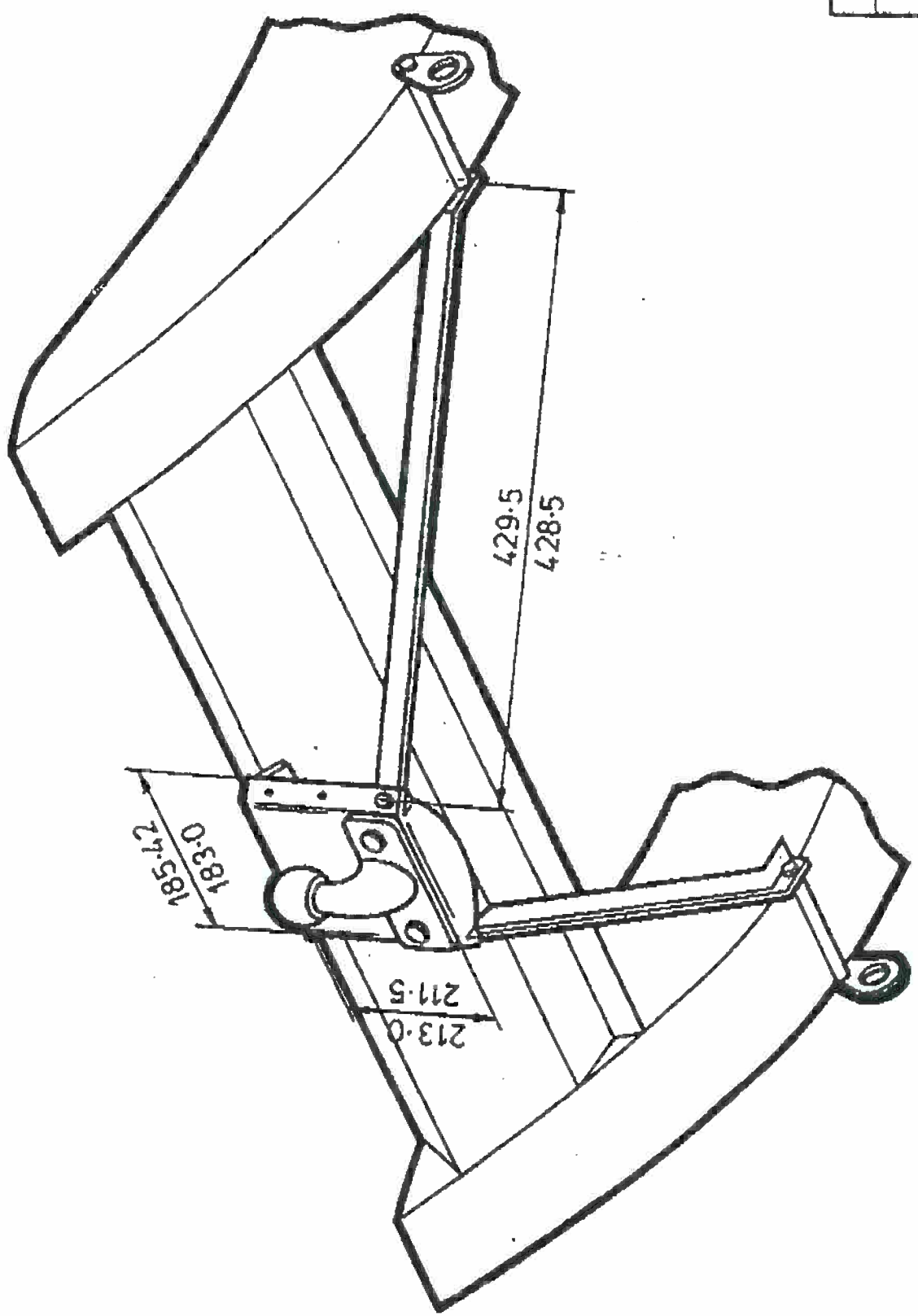
4			
3			
2			
1			



			4
			3
			2

MODEL/TYPE RR	DRAWN KJM	DATE 04   08   92	1
<b>ROVER GROUP</b>  		TITLE RANGE ROVER TOW BAR DIMENSIONS STANDARD	
ROVER GROUP LIMITED PRODUCT ASSURANCE		PART NO _____ DRAWING No RR 1713	

BILAG 4



4				
3				
2				
1	14	10	92	1

DATE

DRAWN KH

MODEL/TYPE LJ

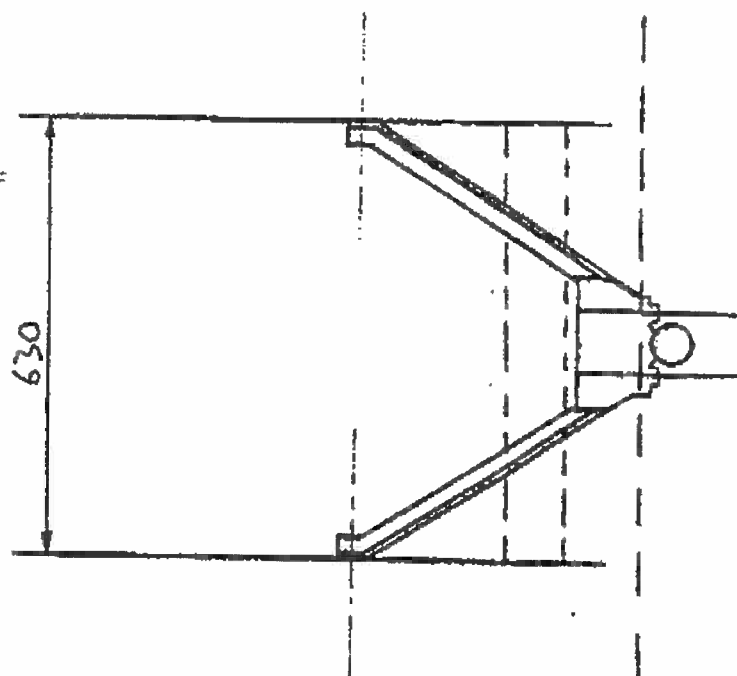
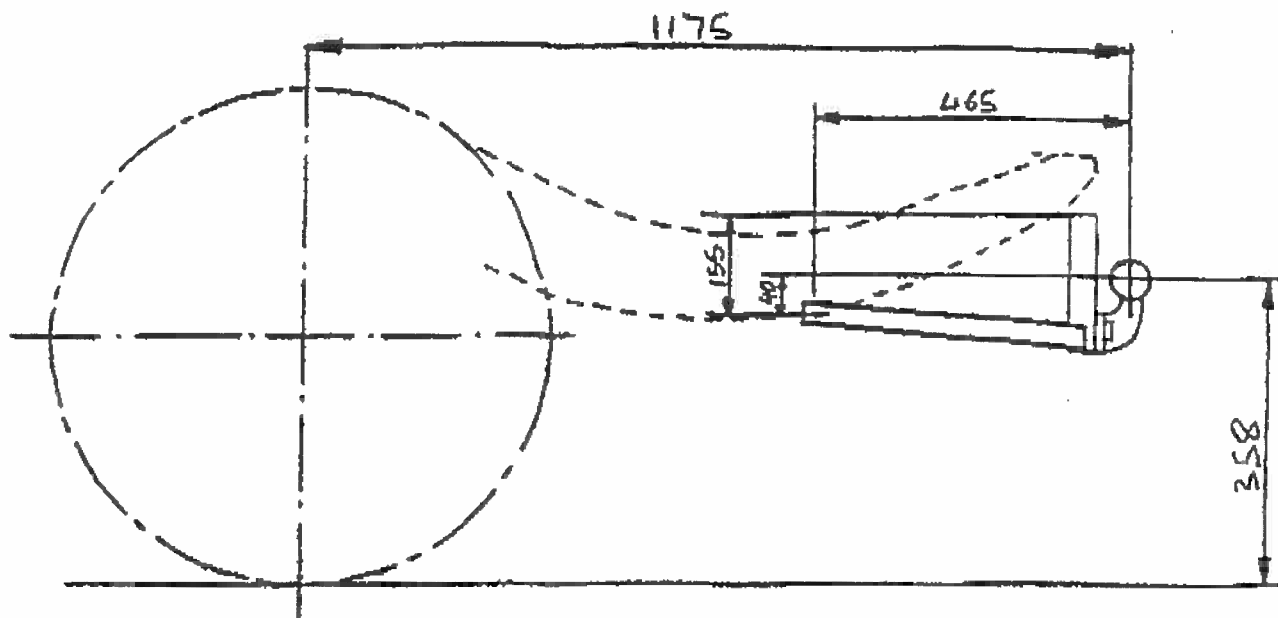
PART NO

TITLE DISCOVERY TOW HITCH ASSEMBLY



DRAWING No LJ 1188

ROVER GROUP





			4
			3
			2

MODEL/TYPE	LJ DISCOVERY	DRAWN	KJM	DATE	22   11   93	1
<b>ROVER GROUP</b>  		TITLE DISCOVERY TOW BAR DIMENSIONS STANDARD				
ROVER GROUP LIMITED PRODUCT ASSURANCE			PART NO	DRAWING No LJ 1562		